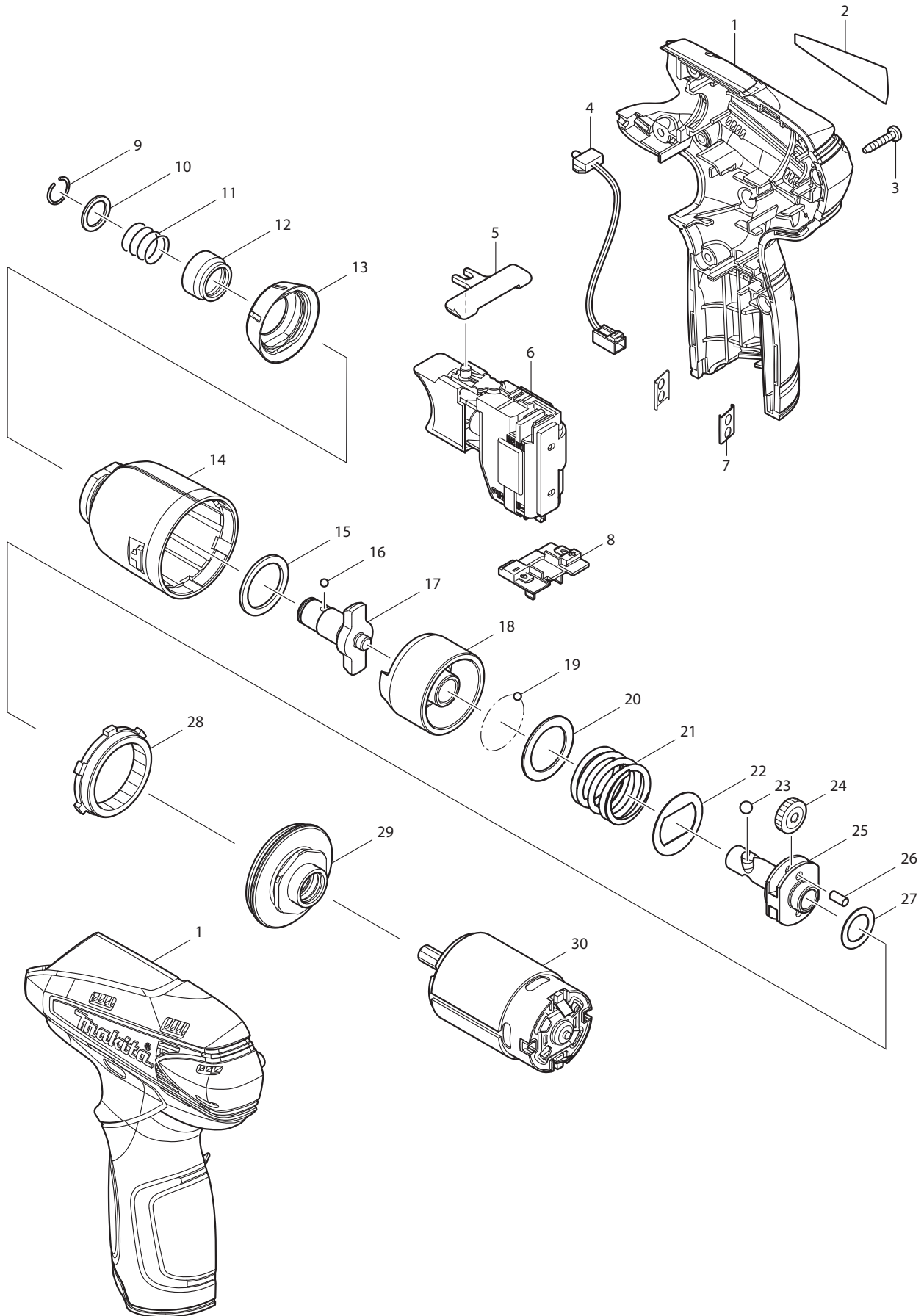




11 - 2010
DT01 / DT01Z
12V IMPACT DRIVER KIT



| Item No | Type | Ref | Part No | Description | Qty | Unit |
|--------------------|------|---|----------|--|-----|------|
| 1 | 1 | | 188985-1 | * HOUSING SET | 1 | SET |
| | | INC. | 892030-3 | CAUTION LABEL | 1 | PC. |
| | 2 | | 187453-1 | * HOUSING SET | 1 | SET |
| | | INC. | 892030-3 | CAUTION LABEL | 1 | PC. |
| 2 | | | 868883-2 | DT01 NAME PLATE | 1 | PC. |
| 3 | | | 266130-9 | TAPPING SCREW BIND PT 3X16 | 6 | PC. |
| 4 | 1 | | 631813-4 | * LED CIRCUIT (OLD) | 1 | PC. |
| 5 | | | 450504-6 | F/R CHANGE LEVER | 1 | PC. |
| 6 | 1 | | 650599-1 | * SWITCH C3HY-1A-LM | 1 | PC. |
| | | | | SWITCH C3HY-1A-LF1M (Tool manufactured before March | | |
| | 2 | | 650645-0 | * 2013) | 1 | PC. |
| | | | | SWITCH C3HW-3A-LF1M (Tool manufactured on or after April | | |
| | 3 | | 650699-7 | * 2013) | 1 | PC. |
| 7 | | | 345998-7 | SET PLATE | 2 | PC. |
| 8 | | | 643830-2 | TERMINAL | 1 | PC. |
| 9 | | | 231965-7 | RING SPRING 10 | 1 | PC. |
| 10 | | | 267143-3 | FLAT WASHER 11 | 1 | PC. |
| 11 | | | 233005-7 | COMPRESSION SPRING 13 | 1 | PC. |
| 12 | | | 324711-6 | BIT SLEEVE | 1 | PC. |
| 13 | | | 424109-8 | BUMPER | 1 | PC. |
| 14 | | | 158670-0 | HAMMER CASE COMPLETE | 1 | PC. |
| 15 | | | 261140-1 | NYLON WASHER 20 | 1 | PC. |
| 16 | | | 216019-1 | STEEL BALL 3 | 2 | PC. |
| 17 | | | 324895-0 | ANVIL M | 1 | PC. |
| 18 | | | 324894-2 | HAMMER | 1 | PC. |
| 19 | | | 216019-1 | STEEL BALL 3 | 24 | PC. |
| 20 | | | 267380-9 | FLAT WASHER 20 | 1 | PC. |
| 21 | | | 234064-4 | COMPRESSION SPRING 21 | 1 | PC. |
| 22 | | | 267813-4 | WASHER 21 | 1 | PC. |
| 23 | | | 216002-8 | STEEL BALL 4.8 | 2 | PC. |
| 24 | | | 227213-0 | SPUR GEAR 17 | 2 | PC. |
| 25 | | | 324897-6 | SPINDLE | 1 | PC. |
| 26 | | | 268217-3 | PIN 3.5 | 2 | PC. |
| 27 | | | 253052-2 | FLAT WASHER 12 | 1 | PC. |
| 28 | | | 227215-6 | INTERNAL GEAR 43 | 1 | PC. |
| 29 | | | 158671-8 | BEARING BOX COMPLETE | 1 | PC. |
| | | INC. | 210112-3 | BALL BEARING 6801LLB | 1 | PC. |
| | | INC. | 213188-9 | O-RING 13 | 1 | PC. |
| 30 | | | 629851-8 | DC MOTOR | 1 | PC. |
| C01 | | | 871578-8 | CARTON | 1 | PC. |
| ACCESSORIES | | - See catalogue or visit www.makita.ca for more accessories - | | | | |
| A01 | | | 168467-9 | HOLSTER | 1 | PC. |
| A01 | | | 168467-9 | HOLSTER | 1 | PC. |
| A02 | | | DC10WB | CHARGER DC10WB F/LI-ION 7.2, 10.8, 12V | 1 | PC. |
| A03 | | | 195332-9 | 12V MAX LI-ION BATTERY BL1014 | 2 | PC. |
| A04 | | | 784244-7 | + BIT 2-50 | 1 | PC. |
| A05 | | | 824781-0 | PLASTIC CASE F/Storing small Accessory(ies) | 1 | PC. |
| A06 | 1 | | 824842-6 | PLASTIC CARRYING CASE | 1 | PC. |
| | | INC. | 417724-5 | LATCH | 2 | PC. |
| | 2 | | 141104-0 | PLASTIC CARRYING CASE | 1 | PC. |
| | | INC. | 417724-5 | LATCH | 2 | PC. |
| A07 | | | ---- | BIT (See Catalogue for details) | 1 | PC. |

SERVICE CHANGES

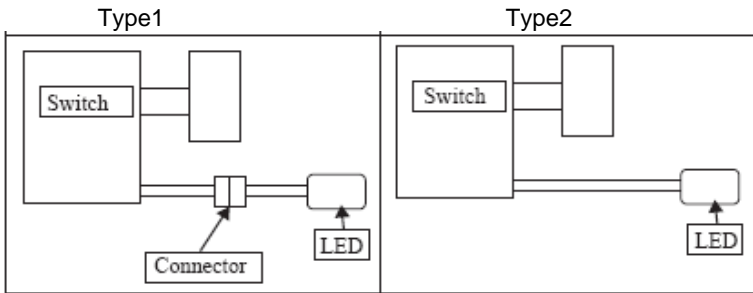
1. Changes on Switch

(T/I# 90876)

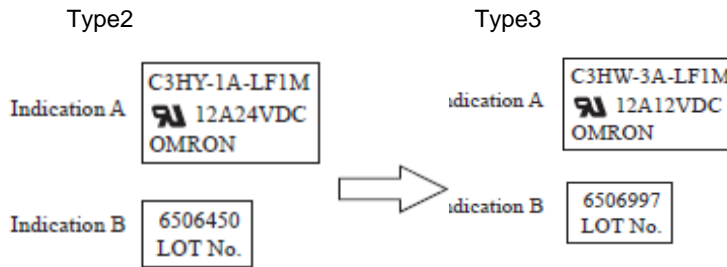
(T/I# 98235)

| Item No. | Description | Type 1 | Type 2 | Type 3 |
|----------|-------------|----------|----------|----------|
| 4 | LED CIRCUIT | 631813-4 | ----- | ----- |
| 6 | SWITCH | 650599-1 | 650645-0 | 650699-7 |

Above parts are completely interchangeable as a set.



Switch has been changed to comply with EMC. Switch and LED circuit have been unified by eliminating Connector to secure a space for Line filter.



Use Type 3 switch for repair the tool manufactured on or after April 2013
 Use Type 1 or 2 switch for repair the tool manufactured before March 2013

2. Changes on Housing (Addition of Line Filter) (T/I# 91992)

| Item No. | Description | Type 1 | Type 2 |
|----------|-------------|----------|----------|
| 1 | HOUSING SET | 188985-1 | 187453-1 |

Service Note:

- Use the new Housing set for repair of the models manufactured on or after July 2011 (the models have the modified ribs.) The current Housing set remains available.
- Use the current Housing set for repair of the models manufactured before July 2011 (the models have not the modified ribs.)

**** See Technical Information T/I# 91992 for the illustration / wiring changes**